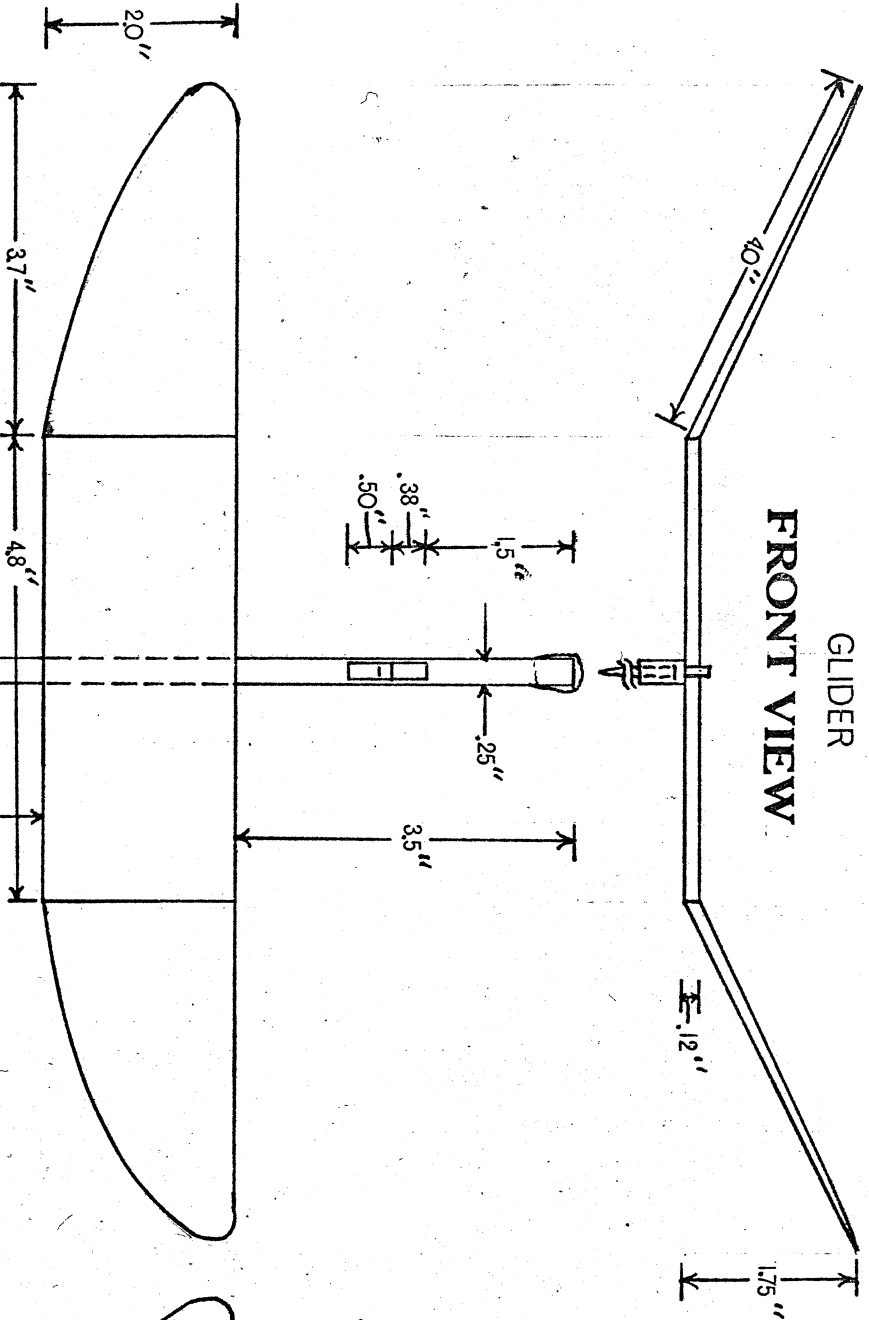
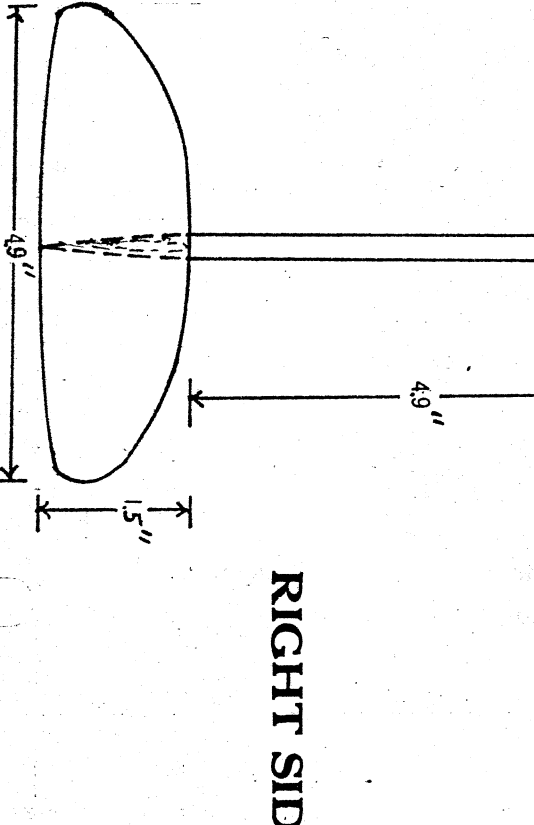


FRONT VIEW

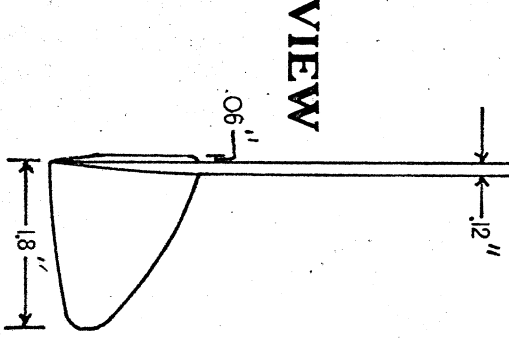
GLIDER



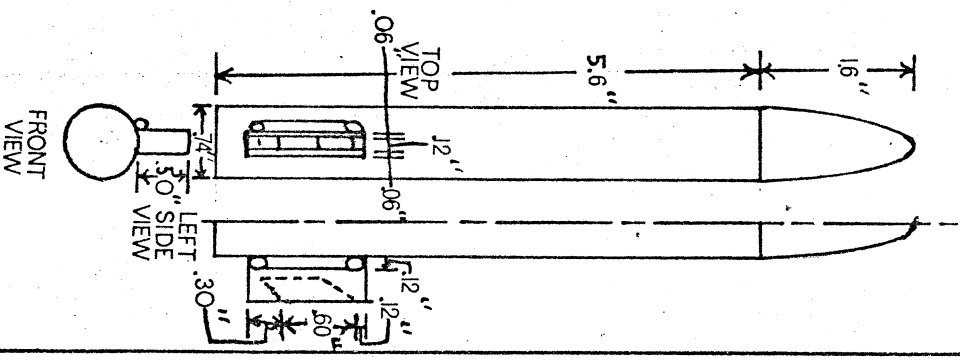
TOP VIEW



RIGHT SIDE VIEW



POD

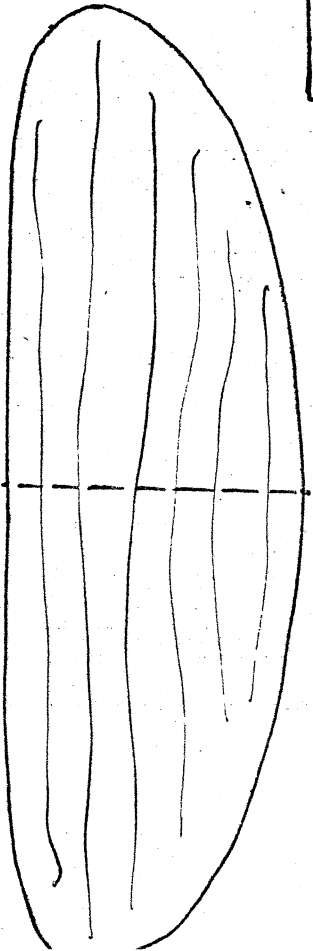
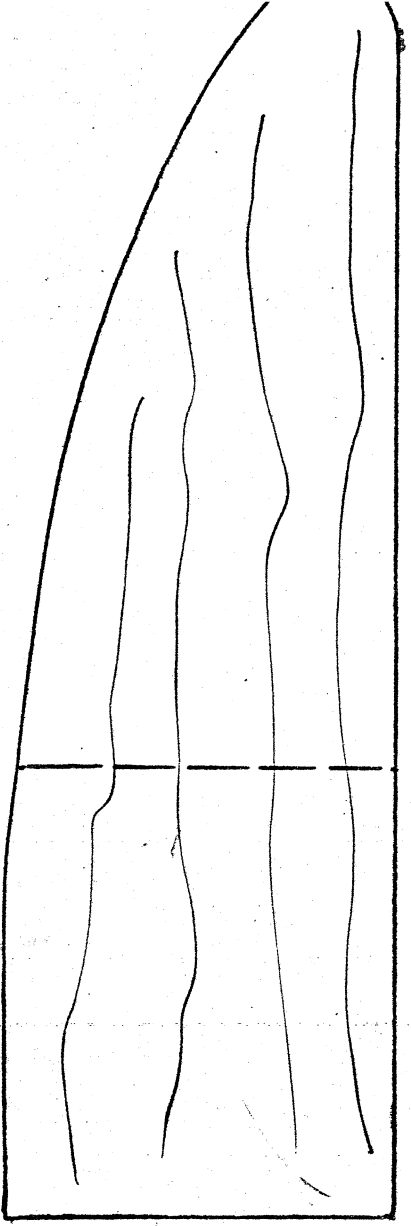


AZ Sparrow B/G

DESIGNED & BUILT BY
george m. pantalos

Drawn 10/21/69
Scale 1:2

FULL SCALE TEMPLATES



1143

1143

ART